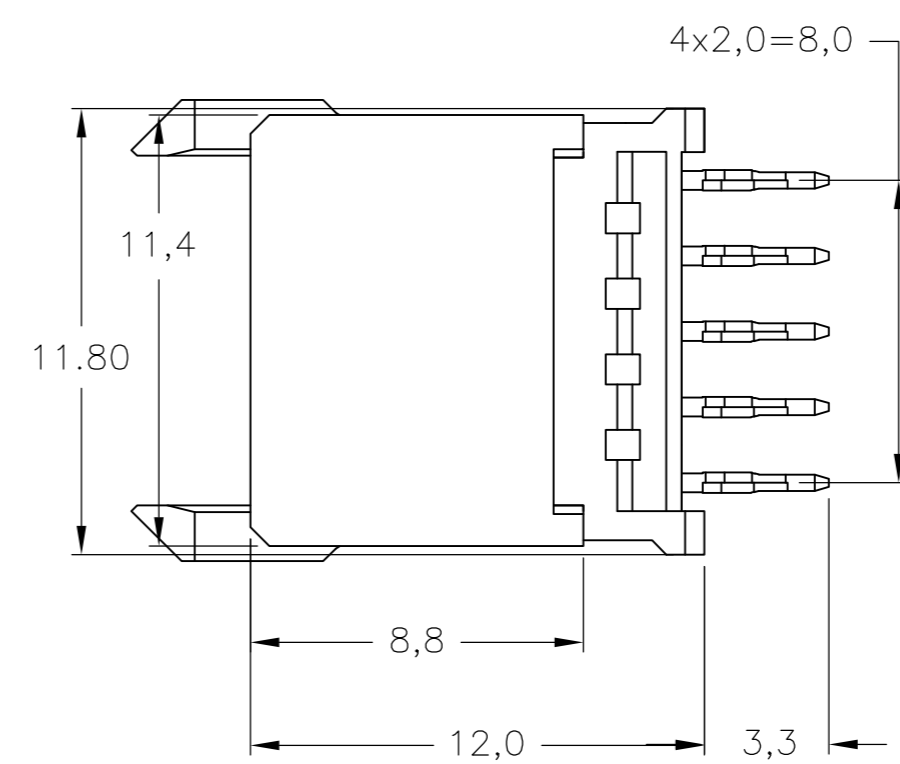
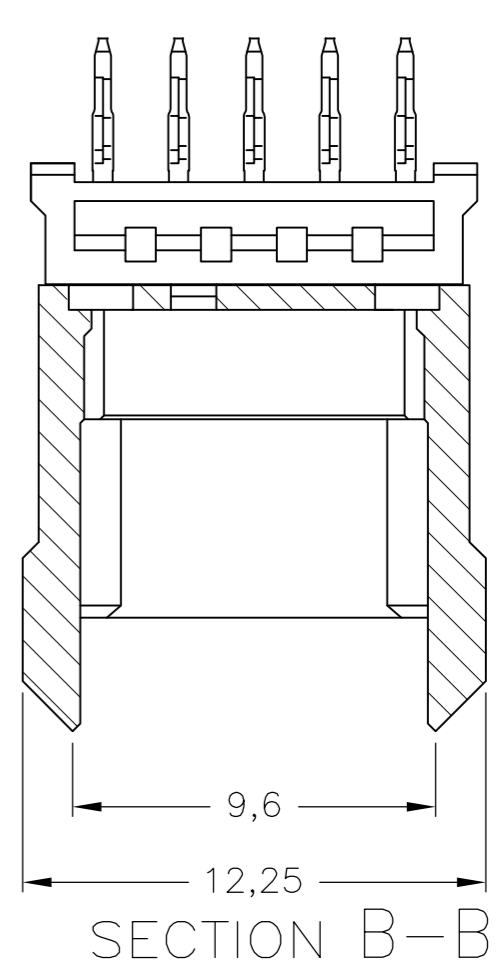
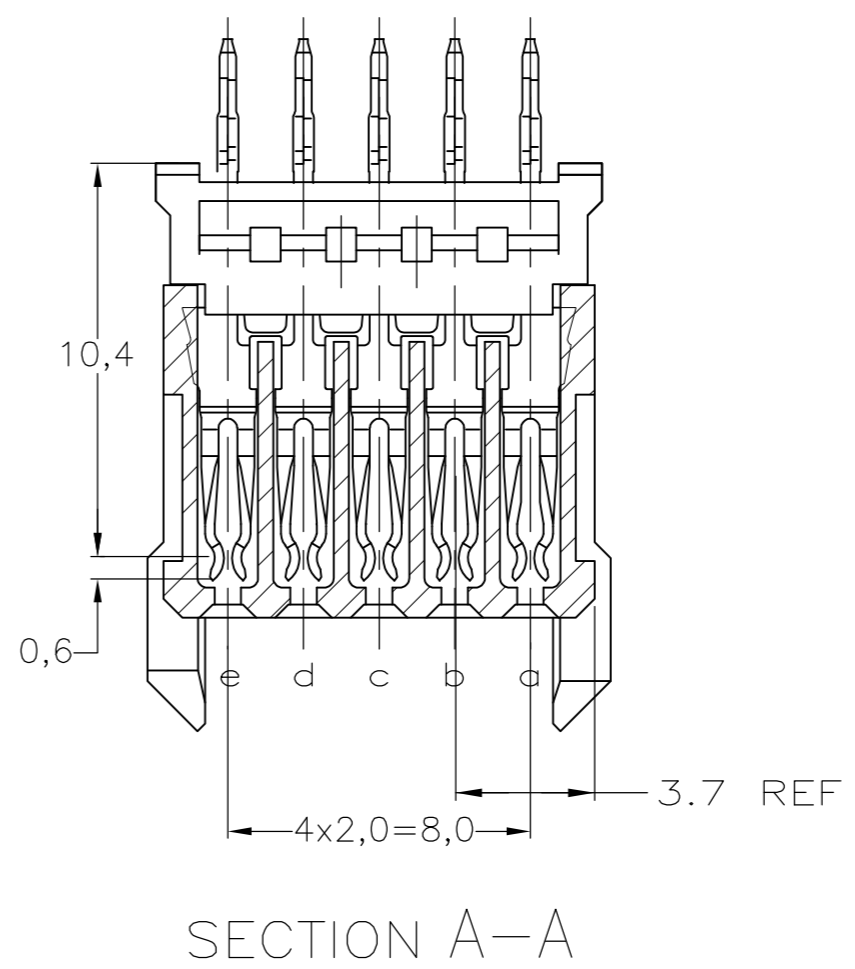
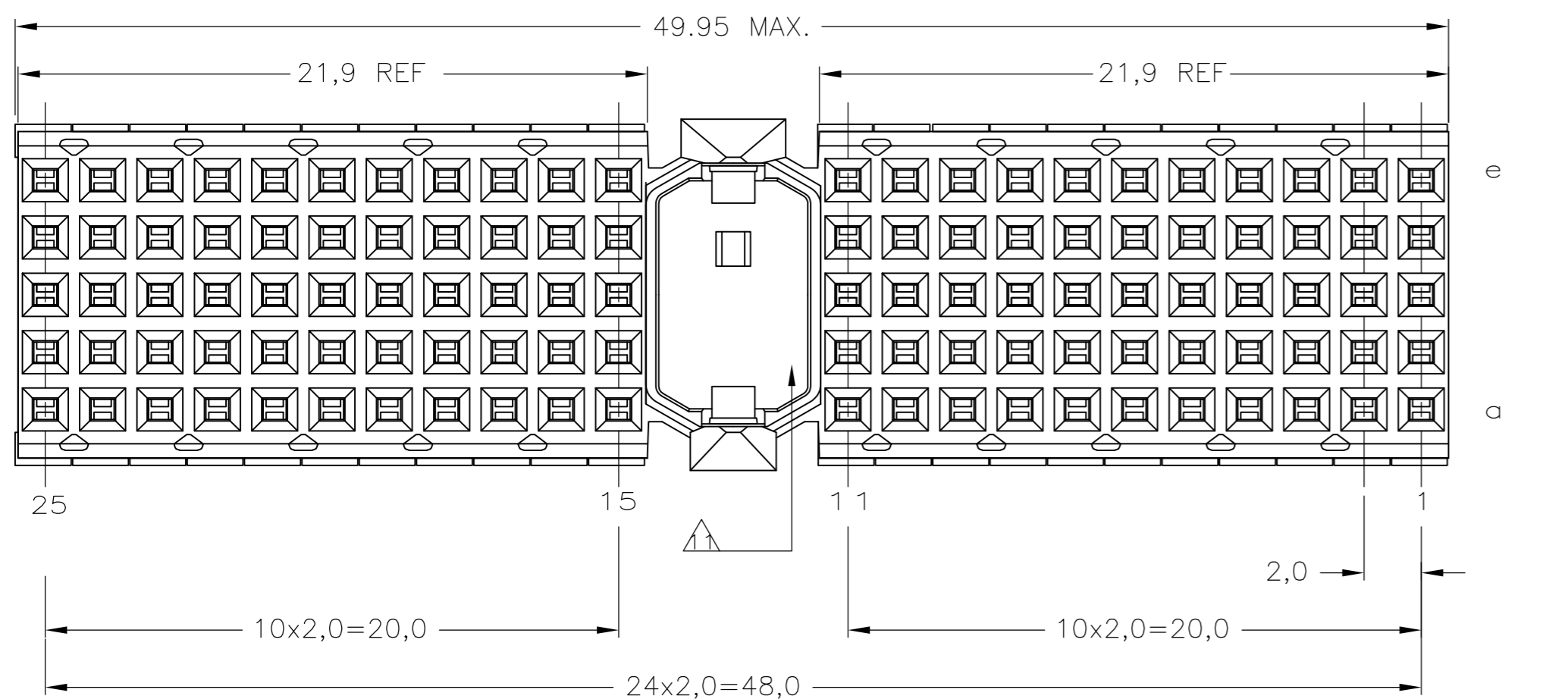
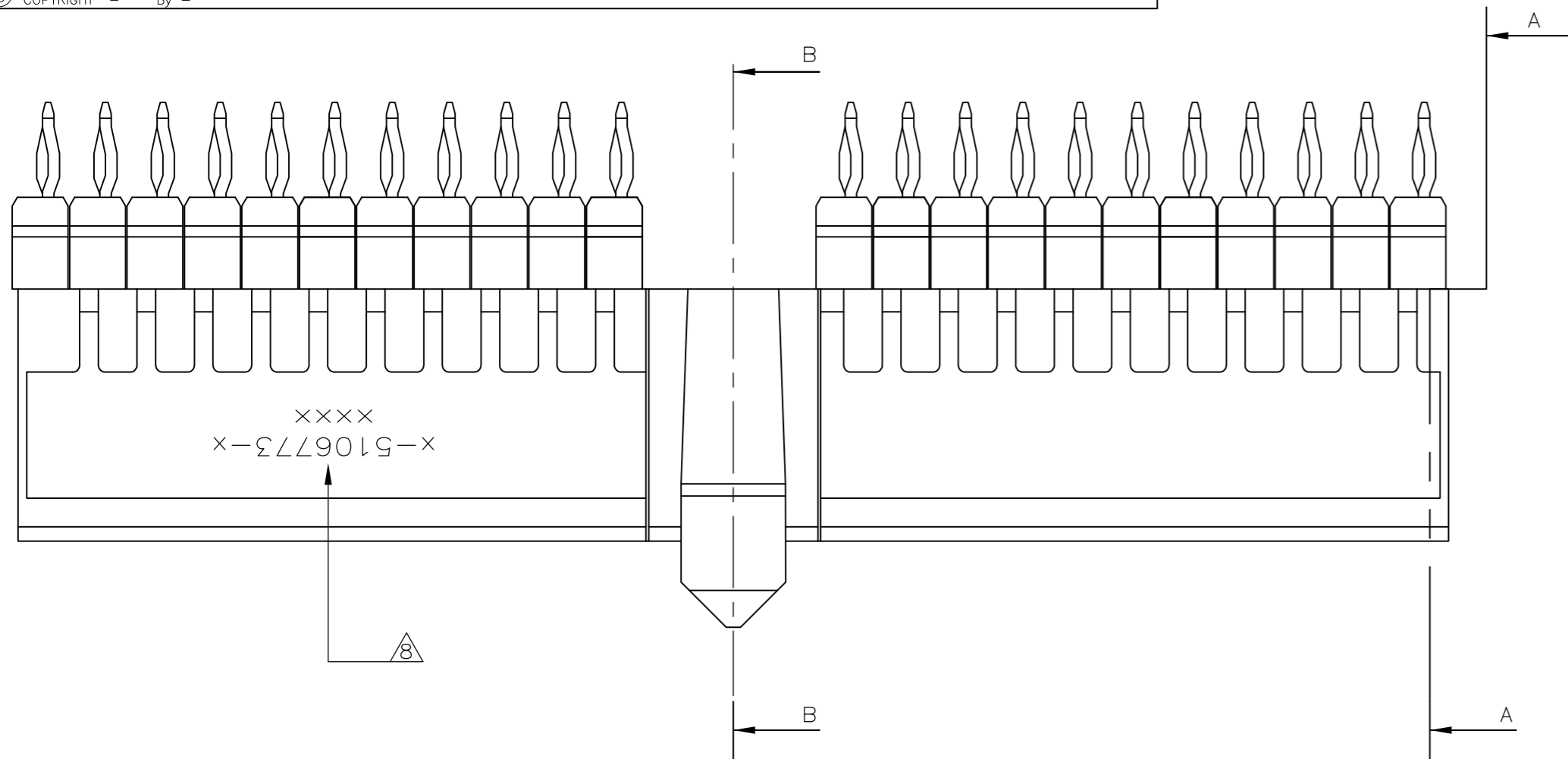


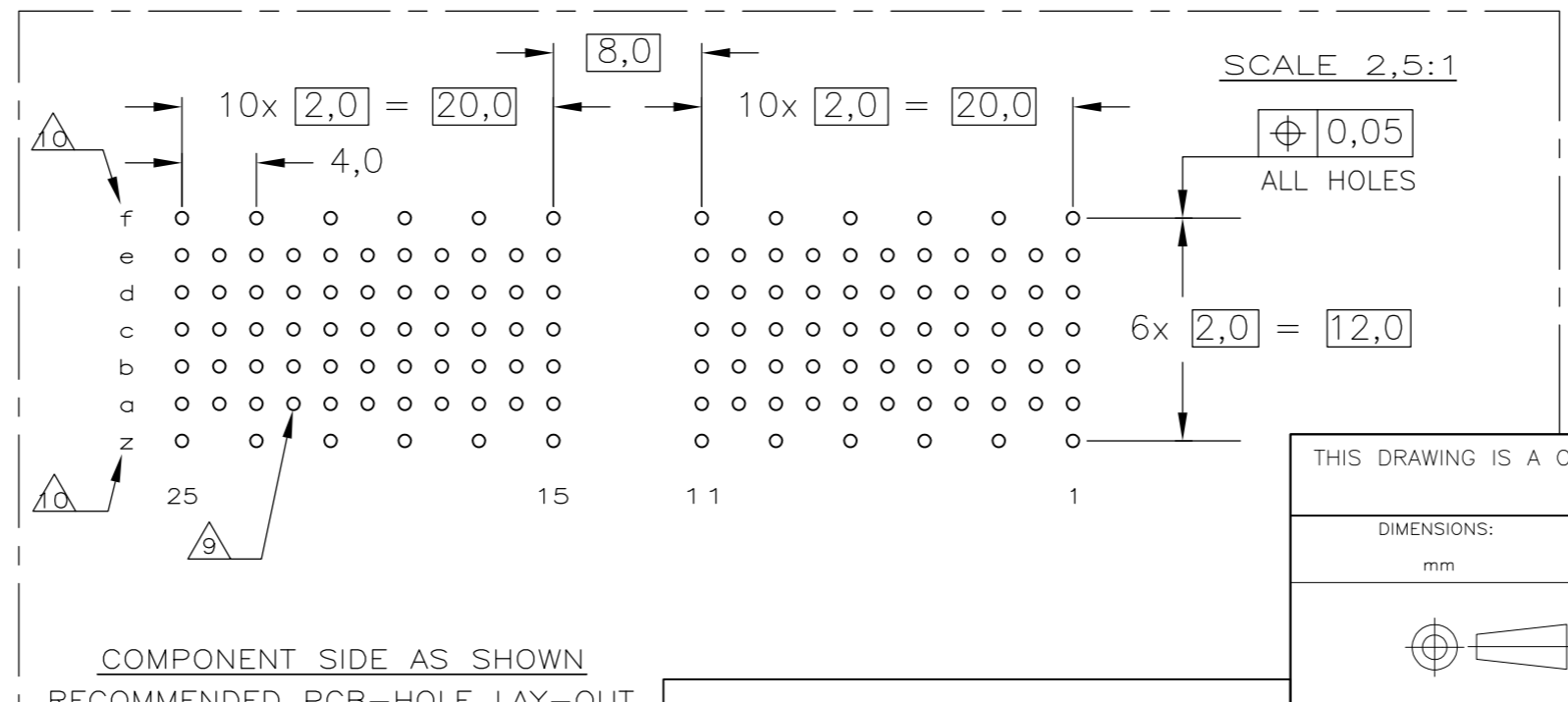
THIS DRAWING IS UNPUBLISHED. RELEASED FOR PUBLICATION  
 © COPYRIGHT - By - ALL RIGHTS RESERVED.

LOC		DIST		REVISIONS			
P	LTR	DESCRIPTION		DATE	DWN	APVD	
G		REVISED PER ECO-12-012363		05JUN2012	SY	AC	



NOTES:

- 1 MATERIAL CONTACT: PHOSPHORBRONZE  
MATERIAL HOUSING: GLASSFILLED POLYESTER  
UL-RATING 94VO (GRAY).
- 2 GENERAL PLATING SPECIFICATION: UNDERPLATING (ENTIRE CONTACT):  
1,27µm NICKEL MIN. AND ACTION PIN: 0,5µm TIN MIN.  
FOR PLATING OF MATING SURFACES SEE APPLICABLE  
SPECIFICATION REFERENCE FOR EACH DASH NUMBER.
- 3 CONFORMS TO ALL TESTING ACCORDING IEC 61076-4-101  
PERFORMANCE LEVEL 2.
- 4 CONFORMS TO ALL TESTING ACCORDING IEC 61076-4-101  
PERFORMANCE LEVEL 1.
- 5 CONNECTOR TESTED AND QUALIFIED AGAINST TELCORDIA GR-1217-CORE  
QUALITY LEVEL III, CENTRAL OFFICE APPLICATIONS.
- 6 CONNECTOR TESTED AND QUALIFIED AGAINST TELCORDIA GR-1217-CORE  
QUALITY LEVEL III, UNCONTROLLED ENVIRONMENT APPLICATIONS.
- 7 CONNECTOR LUBRICATED WITH TELCORDIA GR-1217-CORE  
APPROVED LUBRICANT.
- 8 CONNECTOR PRINTED WITH PARTNUMBER AND DATECODE.
- 9 PLATED-THROUGH HOLES AT 2x2mm SQUARE GRID (110 HOLES).
- 10 HOLES IN ROW f AND z FOR POSSIBLE FUTURE USE OF  
GROUND RETURN SHIELD. (SHIELDS NOT YET TOOLED)
- 11 AREA RESERVED FOR KEYING PART (BASIC P.N.:100526).
- 12 0.76µm MIN GOLD PLATING AT MATING SURFACE.



FINISH	MATERIAL	PARTNUMBER
3-12		3-5106773-0
2-6		1-5106773-9
1-6		5106773-9
1-4		5106773-4
1-3		5106773-1

THIS DRAWING IS A CONTROLLED DOCUMENT.

DIMENSIONS:	TOLERANCES UNLESS OTHERWISE SPECIFIED:	DWN	12AUG2004
mm	±0.2	CHK	27OCT2004
	6-PLG ±	APVD	27OCT2004
	1-PLG ±	NAME	K.N.KIRAN
	2-PLG ±	PRODUCT SPEC	B.MOOIJ
	3-PLG ±	APPLICATION SPEC	B.MOOIJ
	4-PLG ±	108-19082	
	ANGLES ±	114-19029	
	FINISH	WEIGHT	-
		CUSTOMER DRAWING	

TE Connectivity	Z-PACK 2mm HM TYPE A 110 POS. VERTICAL FEMALE CONNECTOR ASSEMBLY		
SIZE	CAGE CODE	DRAWING NO	RESTRICTED TO
A2	00779	C=5106773	-
SCALE	SHEET	REV	
5:1	1 of 1	G	